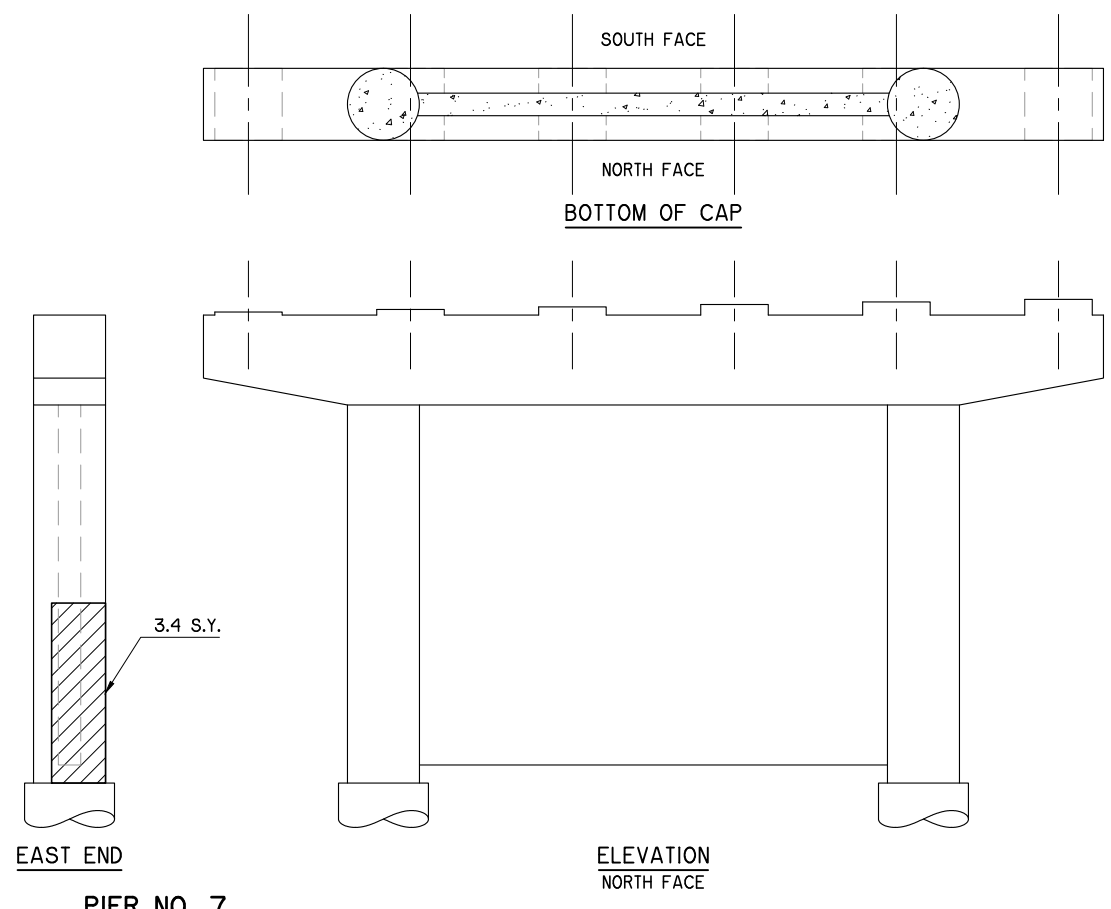
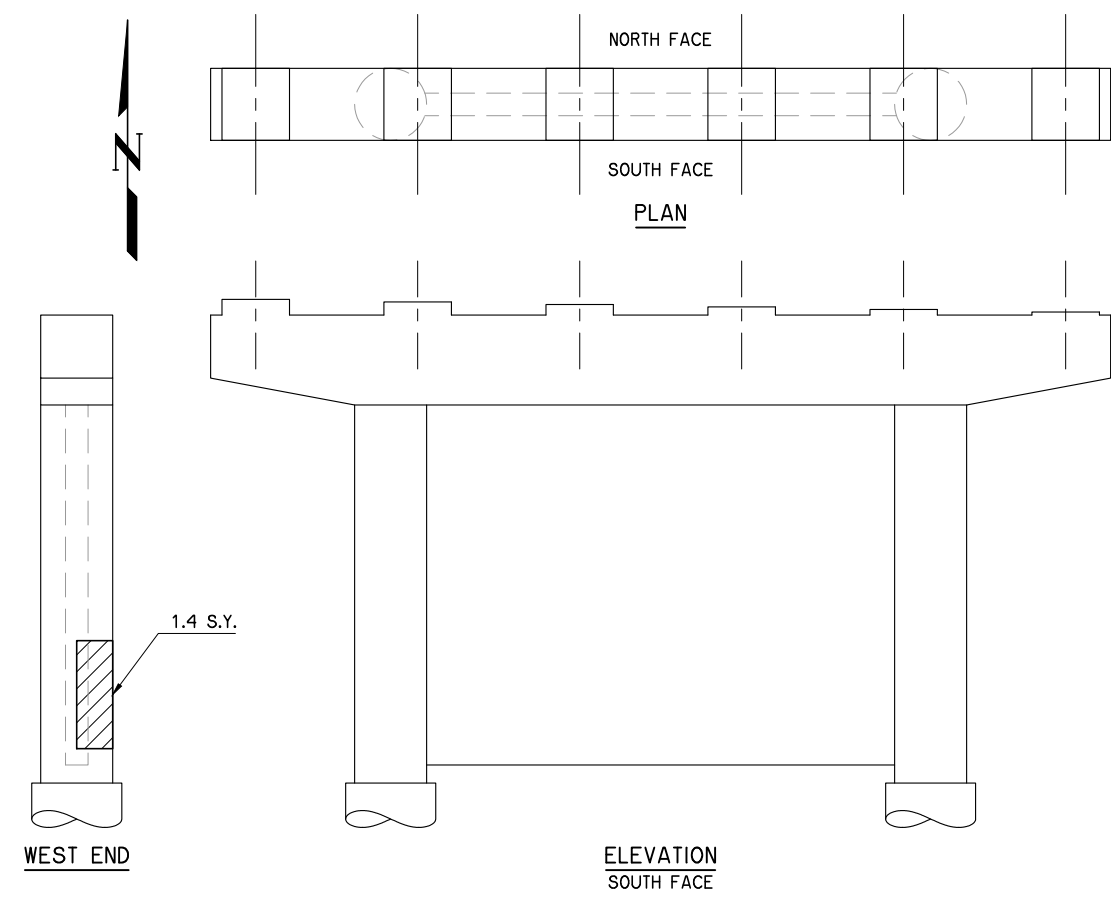


REVISIONS		
REV. NO.	DESCRIPTION	DATE



LEGEND

- PREPARATION OF CRACKS (ABOVE WATER)
- REPAIR BRIDGE ITEMS

I:\Active\1626\Drawings\16 Pier 7 & 8.dwg, 6/12/2017 11:11:21 AM, Fred

SH 51 NB OVER ARKANSAS RIVER	TULSA COUNTY	Design	ADT
PIER REPAIR DETAILS PIER NO. 7 AND NO. 8		Detail	FEZ
		Check	ADT
STATE OF OKLAHOMA		WHITE ENGINEERING ASSOCIATES	
DEPARTMENT OF TRANSPORTATION		SHEET NO. 16	
JOB PIECE NO. 31358(04)			